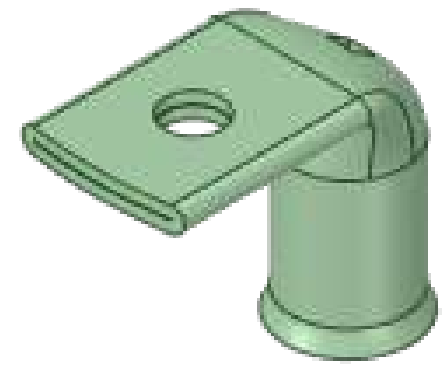
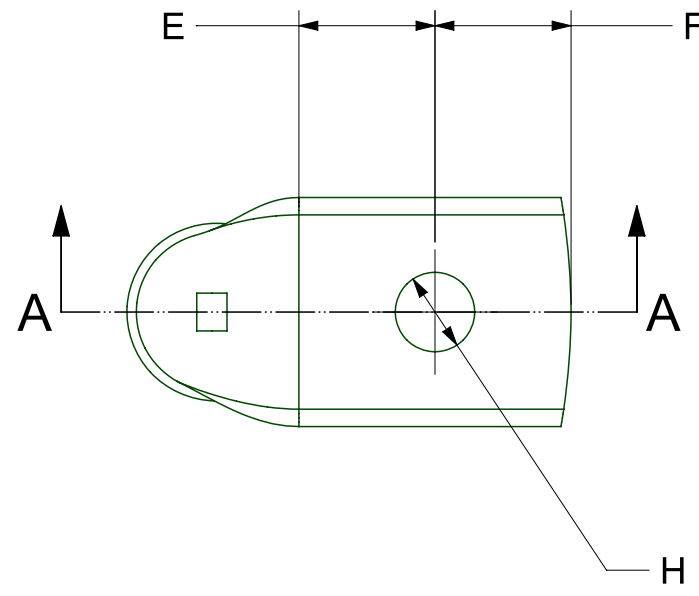
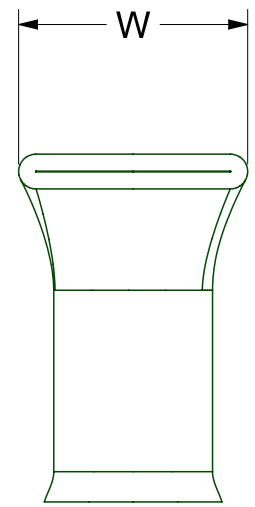
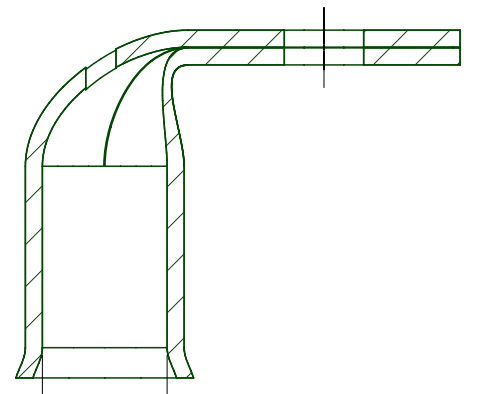


REVISION HISTORY	
1	Original Concept
2	Inspection Hole Added



**SECTION A-A**



PART NO.	H (mm)	E (mm)	F (mm)	W (mm)
TCHD-B90-150-0	N/A	N/A	36.0	30.3
TCHD-B90-150-6	6.5	18.0	18.0	30.3
TCHD-B90-150-8	8.5	18.0	18.0	30.3
TCHD-B90-150-10	10.5	18.0	18.0	30.3
TCHD-B90-150-12	13.0	18.0	18.0	30.3
TCHD-B90-150-14	14.5	18.0	18.0	30.3
TCHD-B90-150-16	16.5	18.0	18.0	30.3
TCHD-B90-150-20	20.5	18.0	18.0	30.3

Ø16.5mm

**UOS - LINEAR TOLERANCE PERMISSABLE DEVIATIONS FOR SIZE RANGE:**  
Tolerances according to DIN ISO 2768 (V)

DIMS IN MM	0.5 to 3	>3 to 6	>6 to 30	>30 to 120	>120 to 400	>400 to 1000	>1000 to 2000	>2000 to 4000
	-	±0.5	±1.0	±1.5	±2.5	±4.0	±6.0	±8.0

**TOTAL CONNECTIONS**  
2009 LTD

Total Connections 2009 LTD  
www.tc2009.co.uk  
sales@tc2009.co.uk  
Tel 01249 812 707

Drawing No. TCDR1998  
Part No. TCHD-B90-150-RANGE

Material. CW024A (C106) COPPER  
Finish. 5MICRON ELECTRO TIN PLATED

SIZE A3 Date 21/04/2021 Created By: Dan Hewlett REV 2

SCALE 1:1 SHEET 1 of 1